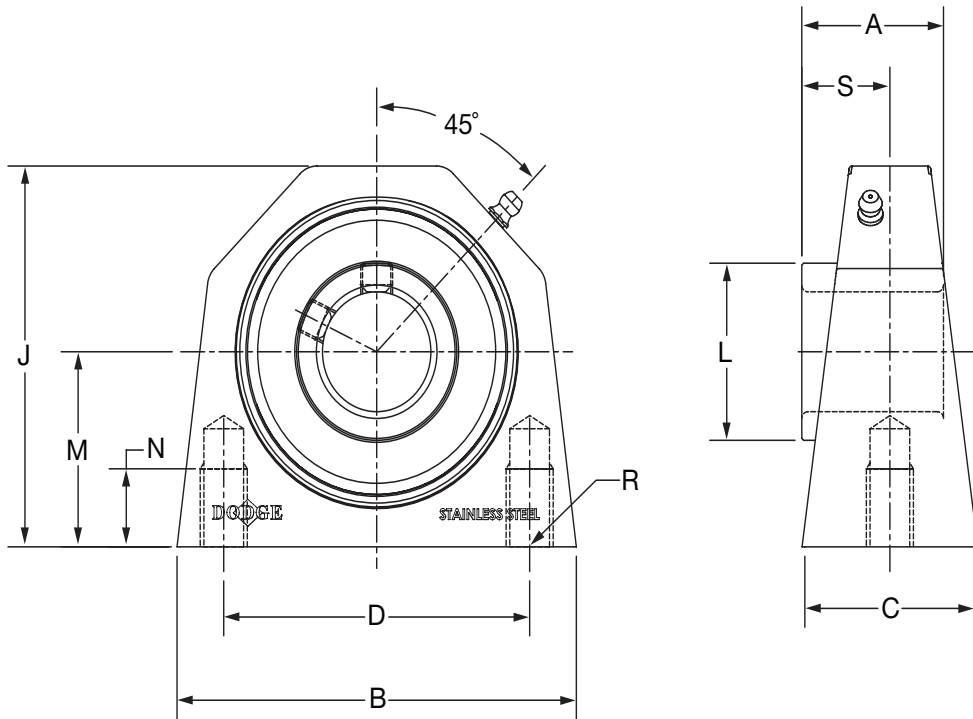
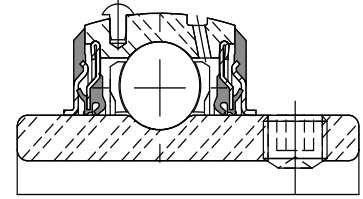




SELECTION/DIMENSIONS

ULTRA KLEEN Mounted Bearings SCEZ SHSS NORMAL DUTY STAINLESS STEEL TAPPED BASE BEARINGS



| Series | Shaft Size | With Stainless Steel Insert | | Weight lbs. kg | A | B | C | D | J | L | M | N | R | S |
|--------|------------|--------------------------------|--------------------------------------|----------------------|------|-------|------|-------|-------|------|------|------|---------|------|
| | | Part No. | Description | | | | | | | | | | | |
| 204 | 3/4 | 136784 | TB-SCEZ-012-SHSS | 1.27 | 1.23 | 2.77 | 1.36 | 2.00 | 2.50 | 1.11 | 1.31 | 0.45 | 3/8-16 | 0.73 |
| | 20mm | 136855 | TB-SCEZ-20M-SHSS | .576 | 31.2 | 70.4 | 34.5 | 50.8 | 63.5 | 28.2 | 33.4 | 11.4 | 3/8-16 | 18.5 |
| 205 | 1 | 136785 | TB-SCEZ-100-SHSS | 1.48 | 1.34 | 3.06 | 1.39 | 2.00 | 2.75 | 1.32 | 1.44 | 0.45 | 3/8-16 | 0.78 |
| | 25mm | 136856 | TB-SCEZ-25M-SHSS | .671 | 34.0 | 77.7 | 35.3 | 50.8 | 69.9 | 33.5 | 36.5 | 11.4 | 3/8-16 | 19.8 |
| 206 | 1-3/16 | 136786 | TB-SCEZ-103-SHSS | 2.49 | 1.52 | 3.84 | 1.50 | 3.00 | 3.22 | 1.57 | 1.69 | 0.88 | 7/16-14 | 0.94 |
| | 1-1/4 | 136787 | TB-SCEZ-104S-SHSS | | | | | | | | | | | |
| | 30mm | 136857 | TB-SCEZ-30M-SHSS | 1.13 | 38.6 | 97.5 | 38.1 | 76.2 | 81.8 | 39.9 | 42.9 | 22.4 | 7/16-14 | 23.9 |
| 207 | 1-1/4 | 136788 | TB-SCEZ-104-SHSS | 3.55 | 1.71 | 4.15 | 1.77 | 3.25 | 3.66 | 1.84 | 1.88 | 0.75 | 1/2-13 | 1.04 |
| | 1-7/16 | 136789 | TB-SCEZ-107-SHSS | | | | | | | | | | | |
| | 35mm | 136858 | TB-SCEZ-35M-SHSS | 1.61 | 43.4 | 105.4 | 45.0 | 82.6 | 93.0 | 46.7 | 47.6 | 19.1 | 1/2-13 | 26.4 |
| 208 | 1-1/2 | 136788 | TB-SCEZ-104-SHSS | 4.21 | 1.94 | 4.51 | 1.80 | 3.50 | 4.00 | 2.05 | 2.13 | 1.00 | 1/2-13 | 1.19 |
| | 40mm | 136859 | TB-SCEZ-40M-SHSS | 1.91 | 49.3 | 114.6 | 45.7 | 88.9 | 101.6 | 52.1 | 54.0 | 25.4 | 1/2-13 | 30.2 |
| 210 | 1-15/16 | 136792 | TB-SCEZ-115-SHSS | 5.67 | 1.94 | 5.37 | 1.92 | 4.00 | 4.47 | 2.43 | 2.25 | 1.25 | 5/8-11 | 1.19 |
| | 2 50mm | 136990 136860 | TB-SCEZ-200-SHSS TB-SCEZ-50M-SHSS | 2.57 | 49.3 | 136.4 | 48.8 | 101.6 | 113.5 | 61.7 | 57.2 | 31.8 | 5/8-11 | 30.2 |

| | | | |
|--------------------------------|--|-----------------------------|---------------------------|
| FEATURES/BENEFITS PAGE B1-3 | HOW TO ORDER/NOMENCLATURE PAGE B1-6 | EASY SELECTION PAGE B1-7 | ACCESSORIES PAGE B1-35 |
|--------------------------------|--|-----------------------------|---------------------------|

Bearing Reference Guide

ULTRA KLEEN

E-Z KLEEN

Extreme Duty

Setscrew Ball Bearing

GRIP TIGHT

D-LOK Ball Bearing